

4

3

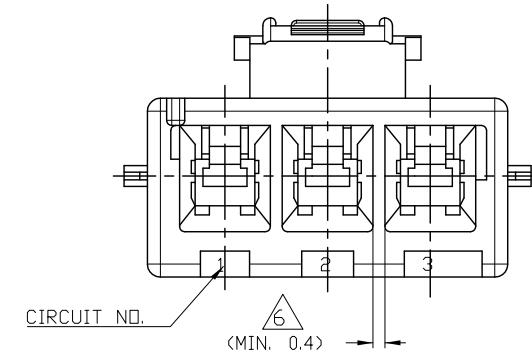
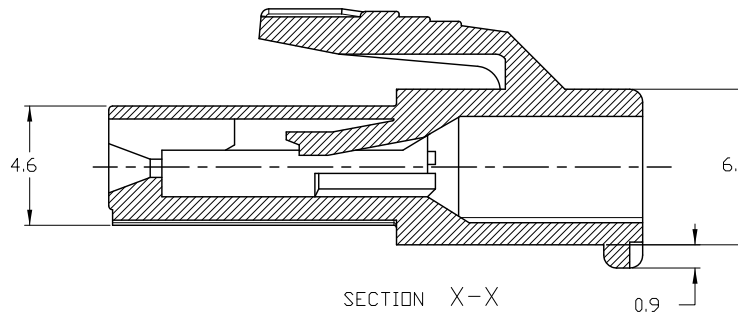
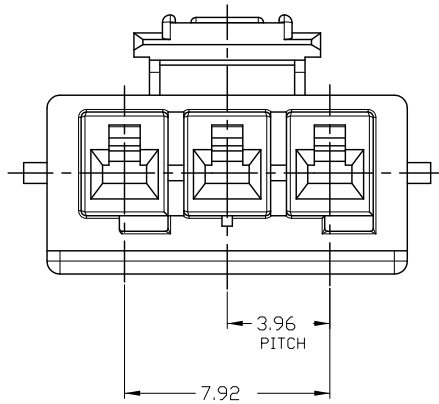
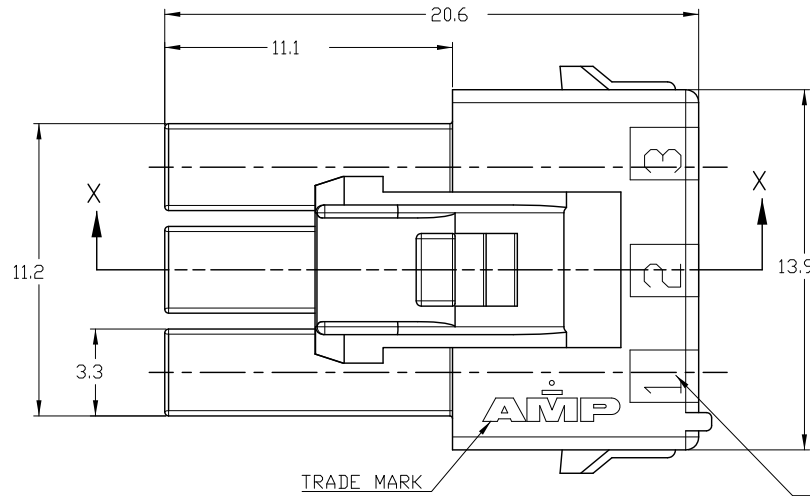
2

1

THIS DRAWING IS UNPUBLISHED. RELEASED FOR PUBLICATION 20
© COPYRIGHT 20 BY TYCO ELECTRONICS CORPORATION. ALL RIGHTS RESERVED.

LOC DS DIST -

REVISIONS				
P	LTR	DESCRIPTION	DATE	DWN APVD
B		REVISED (ECR-07-005158)	14.MAR'07	SC JK
C		REVISED (ECR-09-011788)	25.MAY'09	SC JK
C1		REVISED (ECR-13-016595)	25.OCT'13	KD BW



- NOTE;
- APPLICABLE CONTACT P/N
-REC CONTACT:177915- □(AWG#16-#20)
:177914- □(AWG#22-#26)
 - MATING CONN.P/N
-CAP HSG:368572- □(FREE HANGING)
2005250- □(PANEL MOUNT)
-TAB CONTACT:177917- □(AWG#16-#20)
177916- □(AWG#22-#26)
 - PC BOARD MOUNT(ASS'Y):179839- □
 - APPLICABLE DOUBLE LOCK PLATE:177919-1
 - GENERAL TOLERANCES:±0.3
 - ACCORDING TO IEC 60335-1 4.2 EDITION
-PART MEETS GWT 750°C,850°C.
-MATERIAL MEETS BALL PRESSURE TESTING AT 125°C.
-MATERIAL HAS CTI VALUE OF 250V.
 - MIN.THICKNESS OF INSULATING WALL

©	368571-9	BLACK
©	368571-6	BLUE
©	368571-4	YELLOW
©	368571-2	RED
©	368571-1	NATURAL
	P/N	COLOR

<small>THIS DRAWING IS A CONTROLLED DOCUMENT FOR TYCO ELECTRONICS CORPORATION IT IS SUBJECT TO CHANGE AND THE CONTROLLING ENGINEERING ORGANIZATION SHOULD BE CONTACTED FOR THE LATEST REVISION.</small>		DWN KD CHEON CHK BH CHD APVD BW KANG PRODUCT SPEC 108-61106 APPLICATION SPEC -		TE Connectivity	
DIMENSIONS: mm 		TOLERANCES UNLESS OTHERWISE SPECIFIED: 0 PLC ±- 1 PLC ±0.5 2 PLC ±0.13 3 PLC ±0.013 4 PLC ±0.0001 ANGLES ±-		NAME PDL 3P PLUG HSG 3.96mm (GWT)	
MATERIAL © PA66(U94V-0)		FINISH - WEIGHT -		SIZE A3 CAGE CODE 00779 DRAWING NO. 368571 RESTRICTED TO -	
CUSTOMER DRAWING				SCALE 5:1 SHEET 1 OF 1 REV C1	